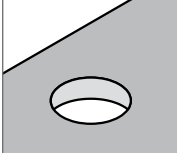


# Model 9189

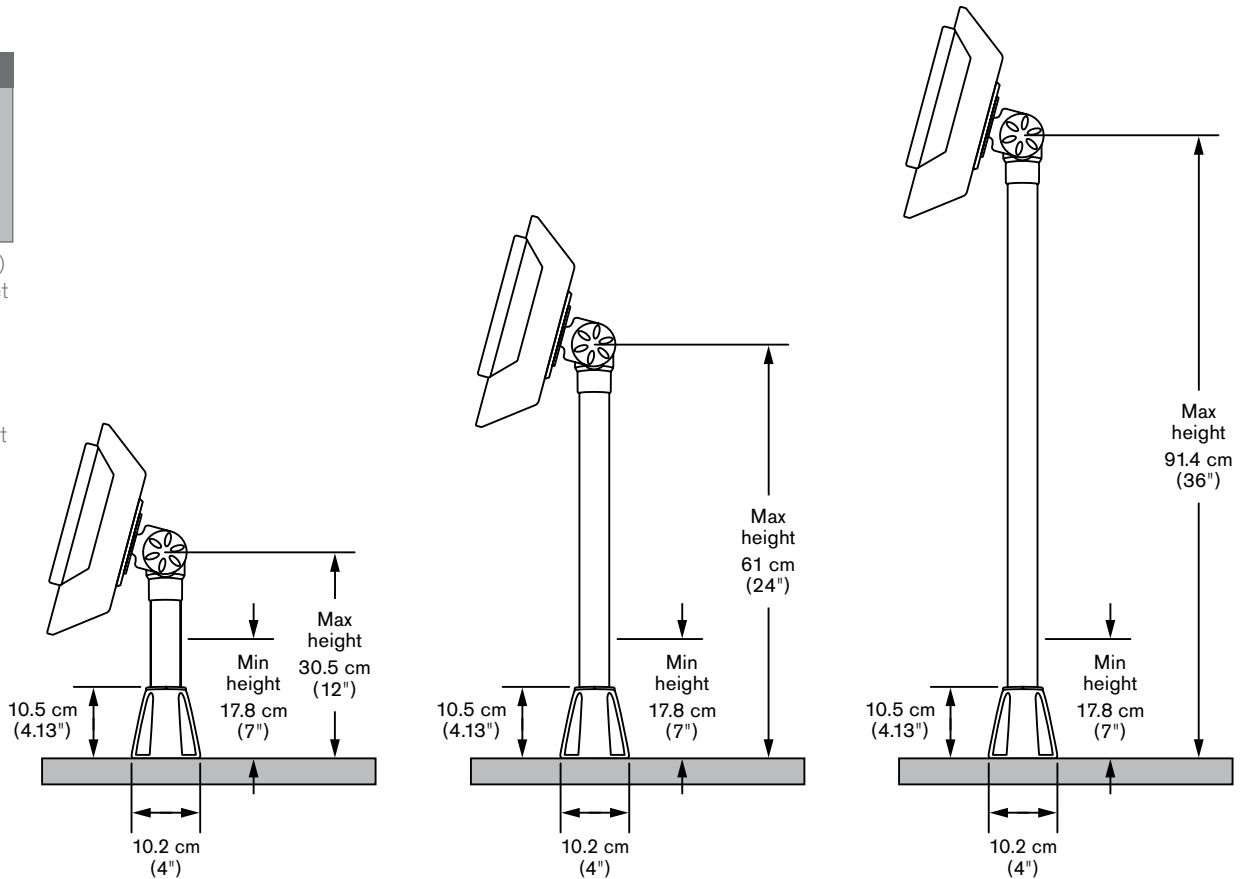
## Specifications



### GROMMET HOLE

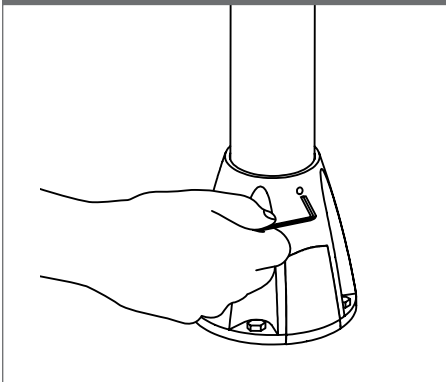


4.6 cm (1-13/16") minimum grommet hole is needed for pole to pass through counter (6 cm [2-3/8"] standard grommet hole is also compatible)



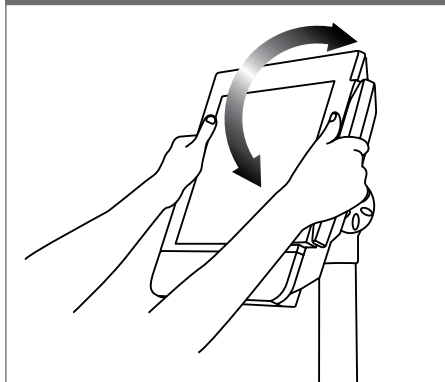
SKU	9189-12	9189-24	9189-36
HEIGHT RANGE	17.8 - 30.5 cm (7 - 12")	17.8 - 61 cm (7 - 24")	17.8 - 91.4 cm (7 - 36")
WEIGHT RANGE	0 - 15.9 kg (0 - 35 lbs)	0 - 15.9 kg (0 - 35 lbs)	0 - 15.9 kg (0 - 35 lbs)

### MONITOR HEIGHT ADJUSTMENT



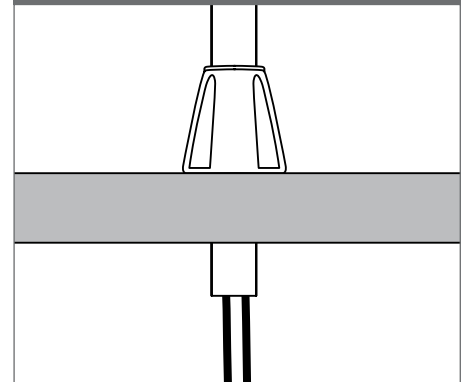
Use of allen key allows adjustment of monitor height

### MONITOR TILT ADJUSTMENT

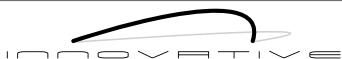


Easily tilt monitor to desired angle

### CABLE MANAGEMENT



Integrated cable management keeps cables safe and out of view



Phone: +45 70 238 268 | Fax: +45 70 238 269 | E-mail: [sales@LCDarms.eu](mailto:sales@LCDarms.eu) | Web: [www.LCDarms.eu](http://www.LCDarms.eu)

This product is protected by one or more of the following U.S. Patent Nos., and other United States and foreign patents applied for: 6,076,785, 6,273,383, 6,409,134, 6,478,274, 6,499,704, 6,505,988, 6,609,691, 6,19,606, 6,719,253, 6,726,167, 6,736,364, 6,783,105, 6,854,698, 6,915,994, 6,935,883, 6,955,328, 6,983,917, 6,986,489, 7,014,157, 7,017,874, 7,048,242, 7,059,574, 7,063,296, 7,066,433, 7,066,435, D435,852, D491,952, D492,893.