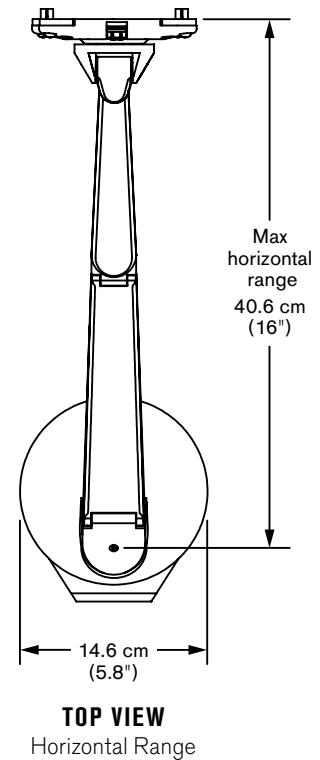
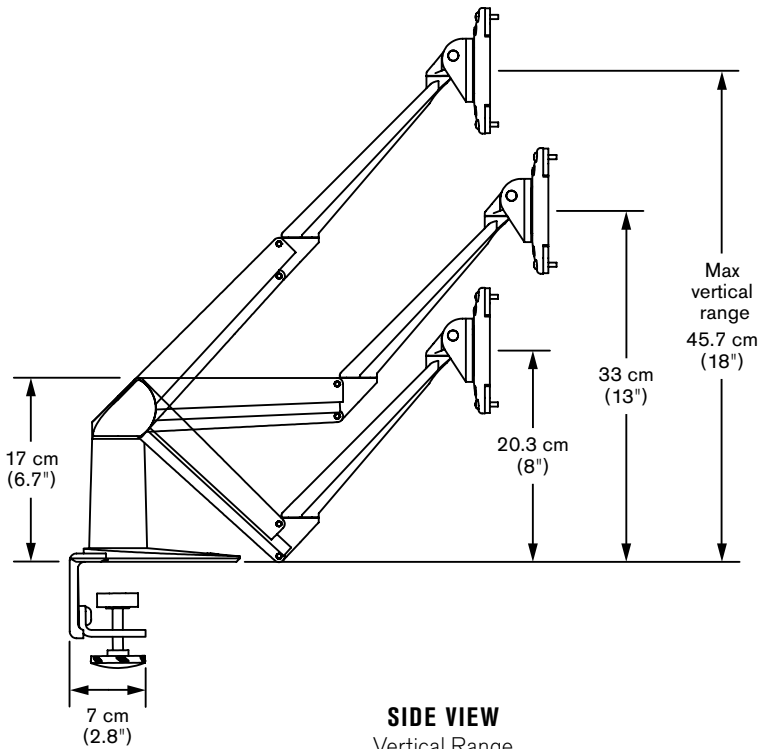
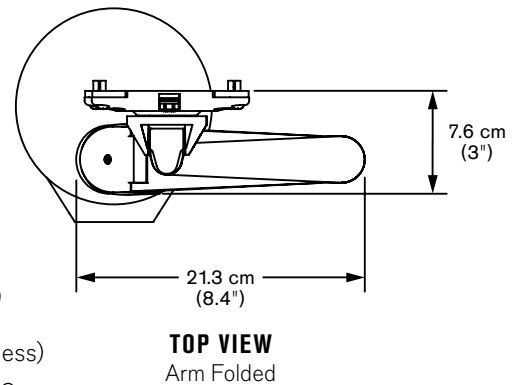


EVO™ 5545

Specifications



- Vertical range:**..... 45.7 cm (18")
- Horizontal range:**..... 40.6 cm (16")
- Rotation:**..... 360 degrees at three joints
- Monitor tilt:**..... 185 degrees
- Monitor pivot:**..... Landscape to portrait
- Monitor compatibility:**..... VESA® 75mm and 100mm
- Cable management:**..... Cables are clipped beneath arm
- Mounting options:**..... Desk Clamp (5 cm [2"] thickness or less)
Thru-Desk (5 cm [2"] thickness or less)
Grommet Mount (5 cm [2"] thickness or less)
- Monitor weight/model number:**..... 4.5 - 8 kg (10 - 18 lbs) / 5545-350-FM-SC
(Other ranges available upon request)



EVO™ DESKTOP MOUNT CONFIGURATIONS

Desk Clamp

Thru-Desk

Grommet

This product is protected by one or more of the following U.S. Patent Nos., and other United States and foreign patents applied for: 6,076,785, 6,273,383, 6,409,134, 6,478,274, 6,499,704, 6,505,988, 6,609,691, 6,19,606, 6,719,253, 6,726,167, 6,736,364, 6,783,105, 6,854,698, 6,915,994, 6,935,883, 6,955,328, 6,983,917, 6,986,489, 7,014,157, 7,017,874, 7,048,242, 7,059,574, 7,063,296, 7,066,433, 7,066,435, D435,852, D491,952, D492,893.